

# Gabinete Sequoia Fusion

## Datasheet de Referência

Conteúdo:

- Especificações Técnicas
- Layout da Placa
- Conectores internos e Jumpers
- Anexo
- Drivers

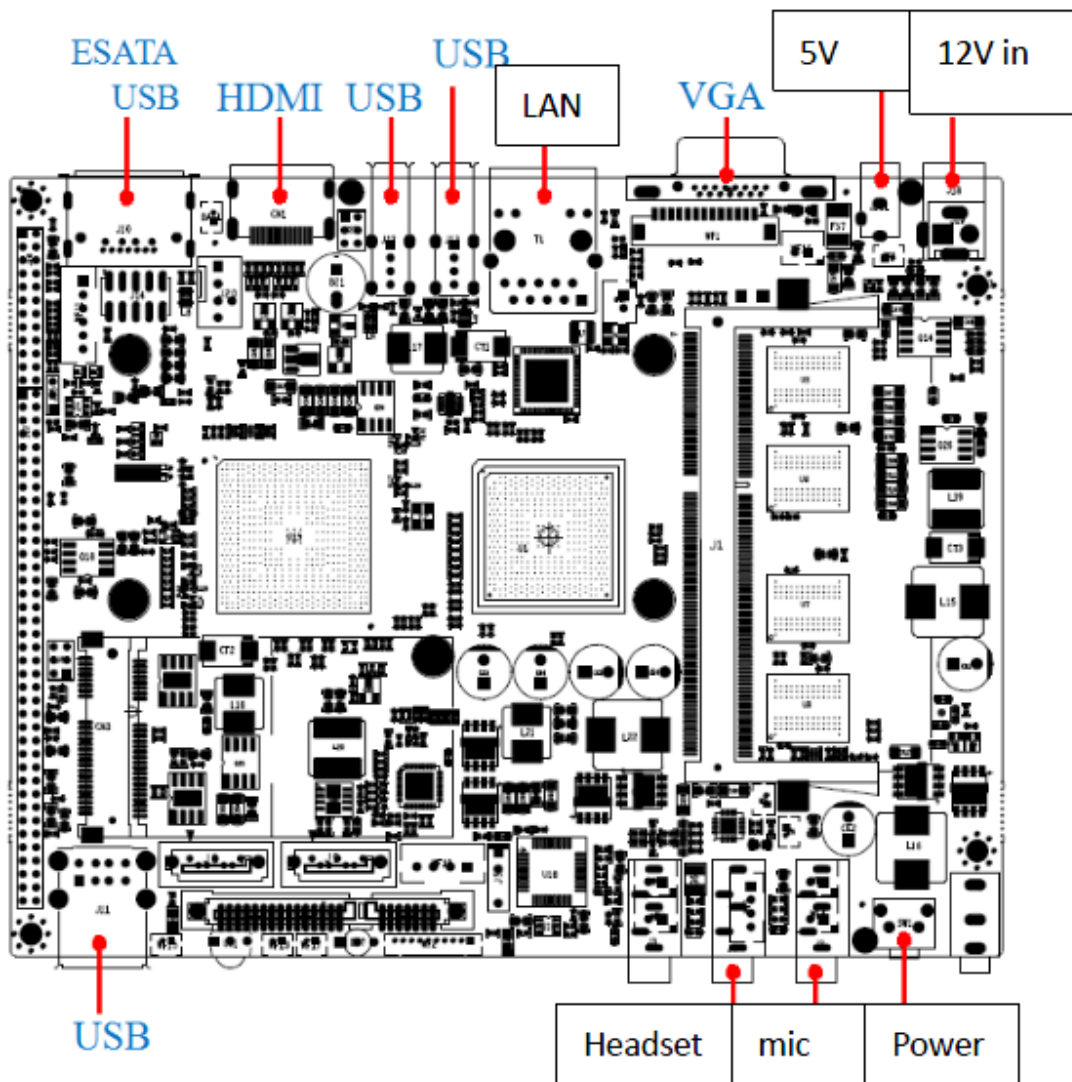


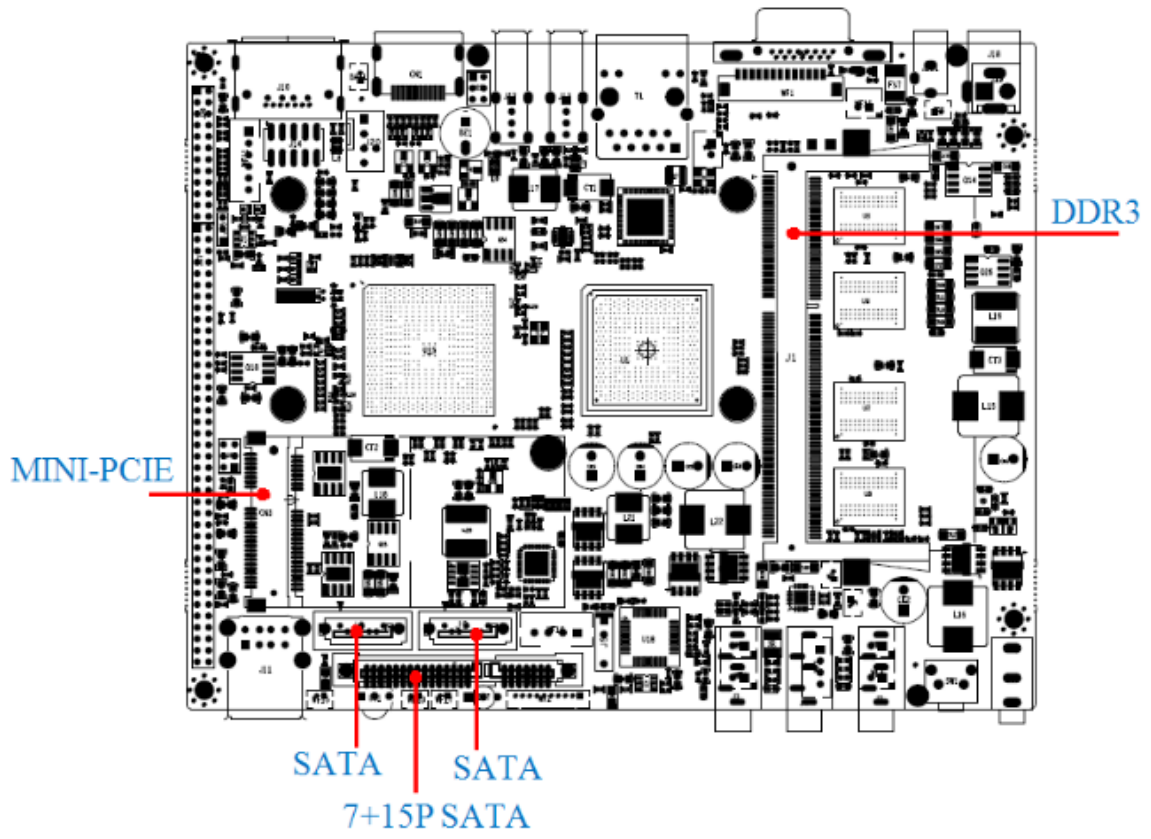
## Especificações Técnicas

APU (Accelerated Processing Unit)	G-Series APU (T56N, T40N, T44R, T40E, T40R)
Chipset	AMD G-Series Controller Hub (A55E, A50M)
Memória	1 x soquete DDR3-1066 SODIMM com suporte para até 4GB
Slots de Expansão	1 x mini PCIe (Wi-Fi opcional)
Áudio	Realtek ALC662 (6-channel)
LAN	Realtek 8111C
Gráficos	AMD Radeon HD (6250-6320) discreta integrada à CPU
Armazenamento	HD SATA (2.5'') DOM Flash
Portas I/O Traseiras	1 x HDMI 1 x VGA 1 x eSATA+USB 1 x porta LAN 2 x USB 2.0 1 x entrada de alimentação 12V
Portas I/O Frontais	2 x USB 2.0 Conector para caixas acústicas Conector para MIC
Tamanho	192 x 128 x 53 (mm)
Peso	1,5 kg

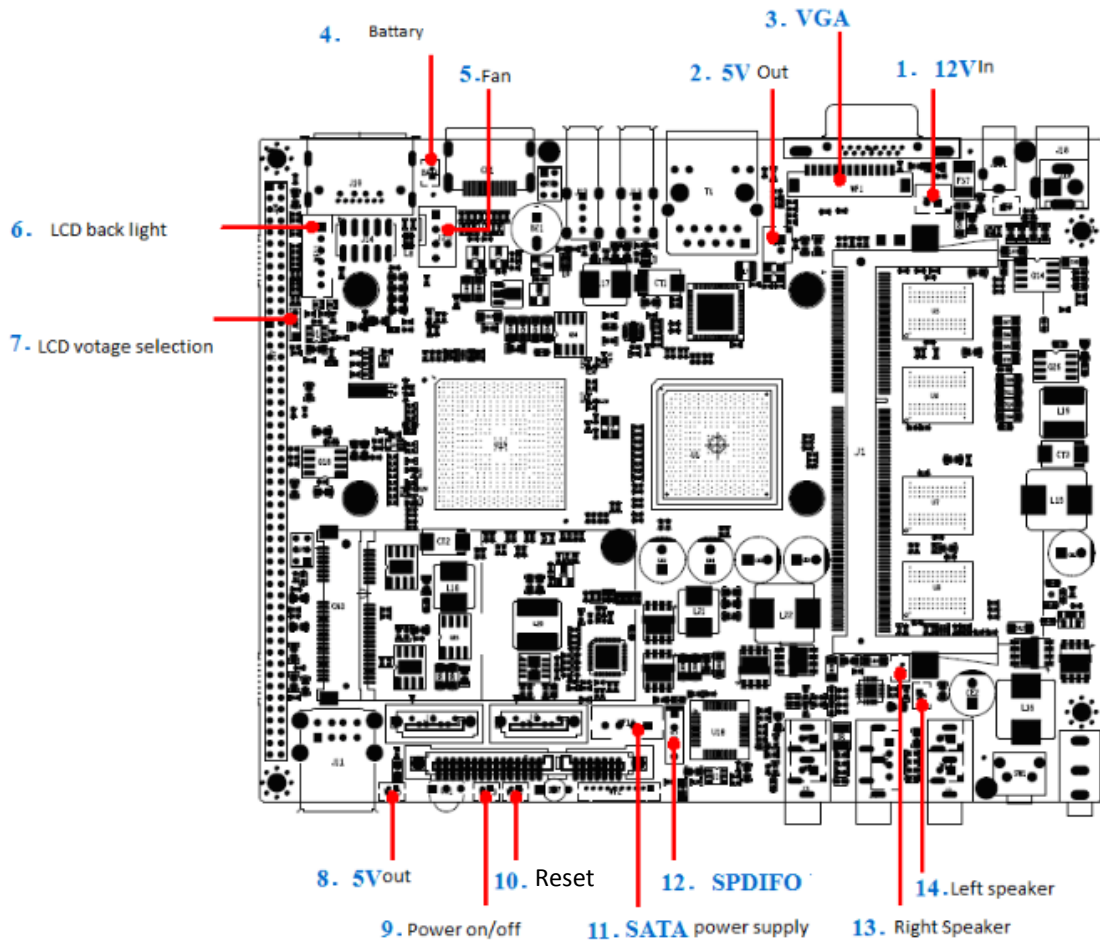


# Layout da Placa





## Conectores Internos e Jumpers



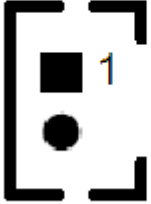
### 1 . 12V out

Support 12V power supply ;

	Pins	Signal
	1	12V
	2	GND


## 2 . 5V out

### 5V power supply

	Pins	Signal
	1	5V
	2	GND

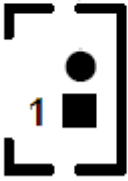
## 3 . VGA out put

The VGA out put signal is same as the VGA port out put .

 13Pin 1.25mm wide	Pins	Signal
	1	CRT_I2C_DAT
	2	CRT_I2C_CK
	3	GND
	4	CRT_HSYNC
	5	CRT_VSYNC
	6	GND
	7	CRT_RED
	8	GND
	9	CRT_GREEN
	10	GND
	11	CRT_BLUE
	12	GND
13	VGA_5V_FB	


#### 4 . Power jumper

##### BIOS battery supply

	Pins	Signal
	1	3V battery
	2	GND

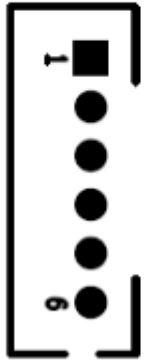
#### 5 . Fan

##### Fan power out put

	Pins	Signal
	1	GND
	2	FAN1_VCC_HDR
	3	FAN1_TAC_HDR
	4	FAN1_PWM

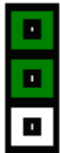
## 6 . LCD back light control

LCD back light on/off control, 5V or 12V

	Pins	Signal
	1	BACKLIGHT_5VOR12V
	2	BACKLIGHT_5VOR12V
	3	LVDS_BKL_EN
	4	LVDS_BKL_PWM_V
	5	GND
	6	GND

## 7 . LCD voltage selection

5V

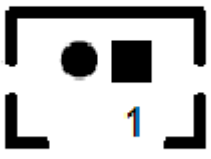


3.3V



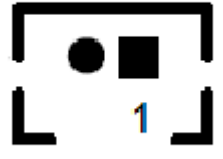
## 8 . 5V OUT

5V out put

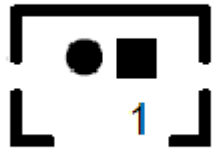
	Pins	Signal
	1	5V
	2	GND




### 9 . Power on/off

	Pins	Signal
	1	PWRBT
	2	GND


### 10 . Reset

	Pins	Signal
	1	RST
	2	GND

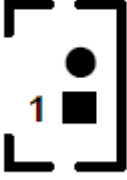
### 11 . SATA power supply

	Pins	Signal
	1	5V
	2	GND
	3	GND
	4	12V

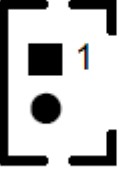
### 12 . SPDIFO

	Pins	Signal
	1	SPDIOF
	2	5V
	3	NC
	4	GND

### 13 . Right Speaker

	Pins	Signal
	1	OUTR+
	2	OUTR-

### 14 . Left Speaker

	Pins	Signal
	1	OUTL+
	2	OUTL-

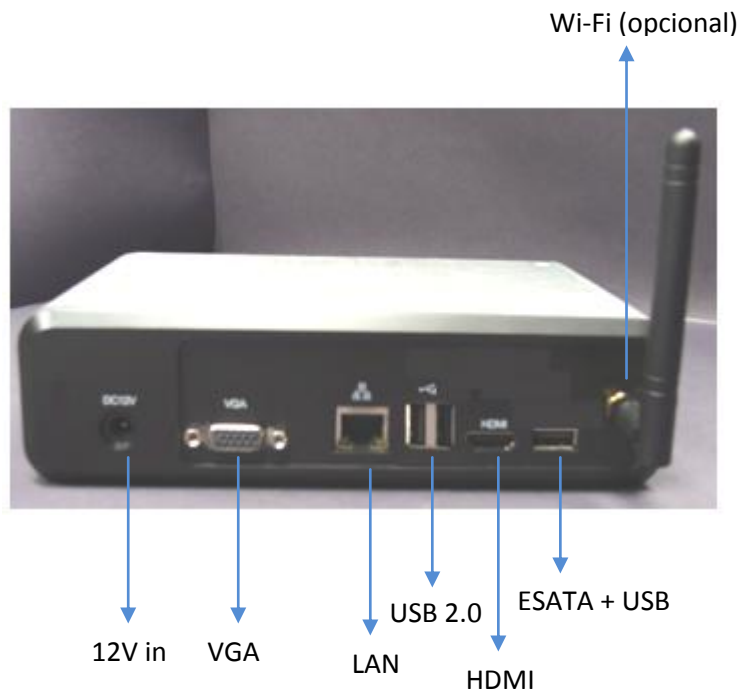
Anexo



MIC  
Speaker

USB 2.0





## Drivers

Linux:

[http://www.tradecomp.com.br/plataformas/FUSION/NanoFUSION/drivers/linux/ati-driver-installer-11-2-x86.x86\\_64.zip](http://www.tradecomp.com.br/plataformas/FUSION/NanoFUSION/drivers/linux/ati-driver-installer-11-2-x86.x86_64.zip)

Win XP:

<http://www.tradecomp.com.br/plataformas/FUSION/NanoFUSION/drivers/winxp/winxp.zip>

Win Vista e Win7:

<http://www.tradecomp.com.br/plataformas/FUSION/NanoFUSION/drivers/winvista%20e%20win7/winvista&win7.zip>

