

Endurance Gabinete Fanless

Datasheet de Referência

Conteúdo:

- Especificações Técnicas
- Layout da Placa
- Conectores Internos e Jumpers
- Anexo
- Drivers

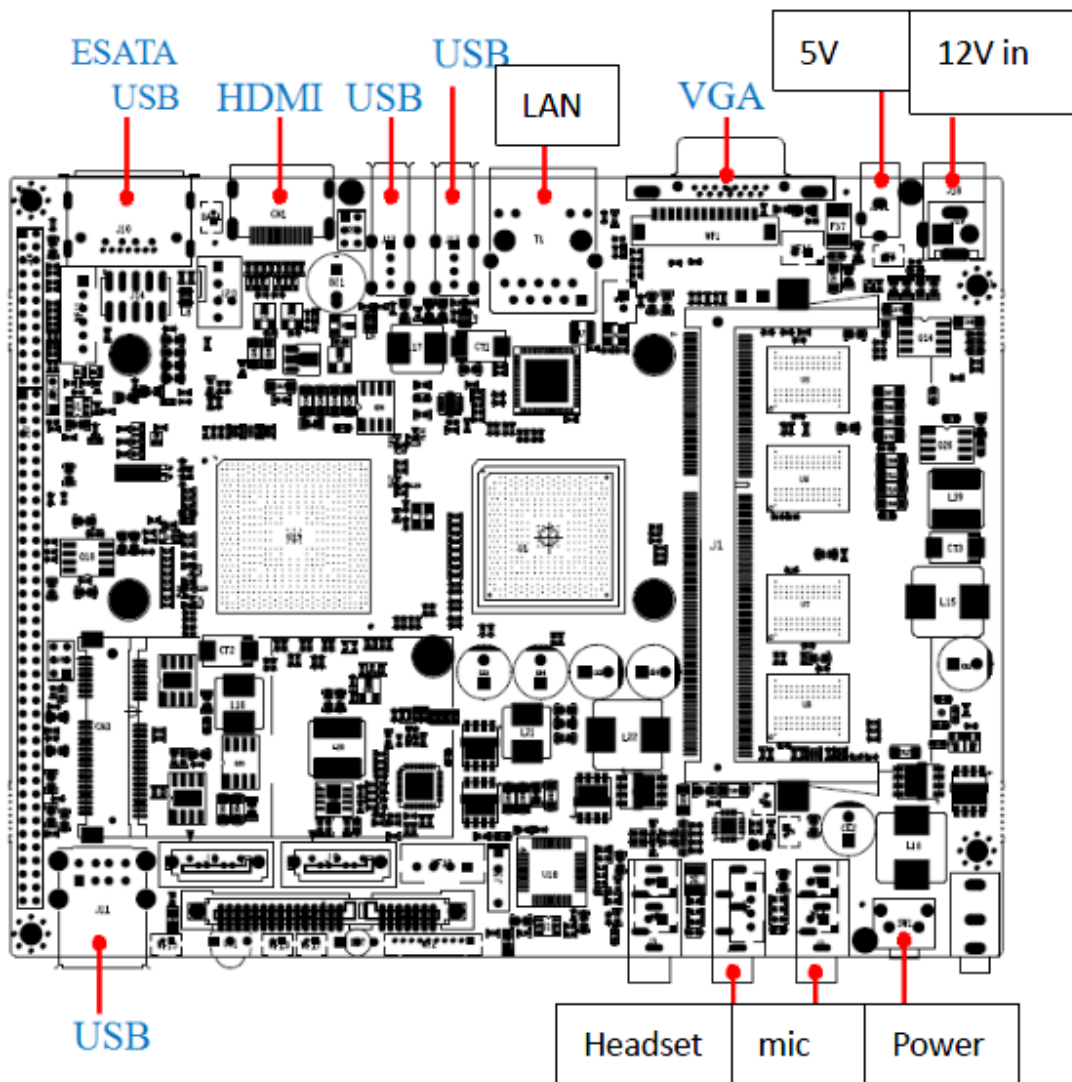


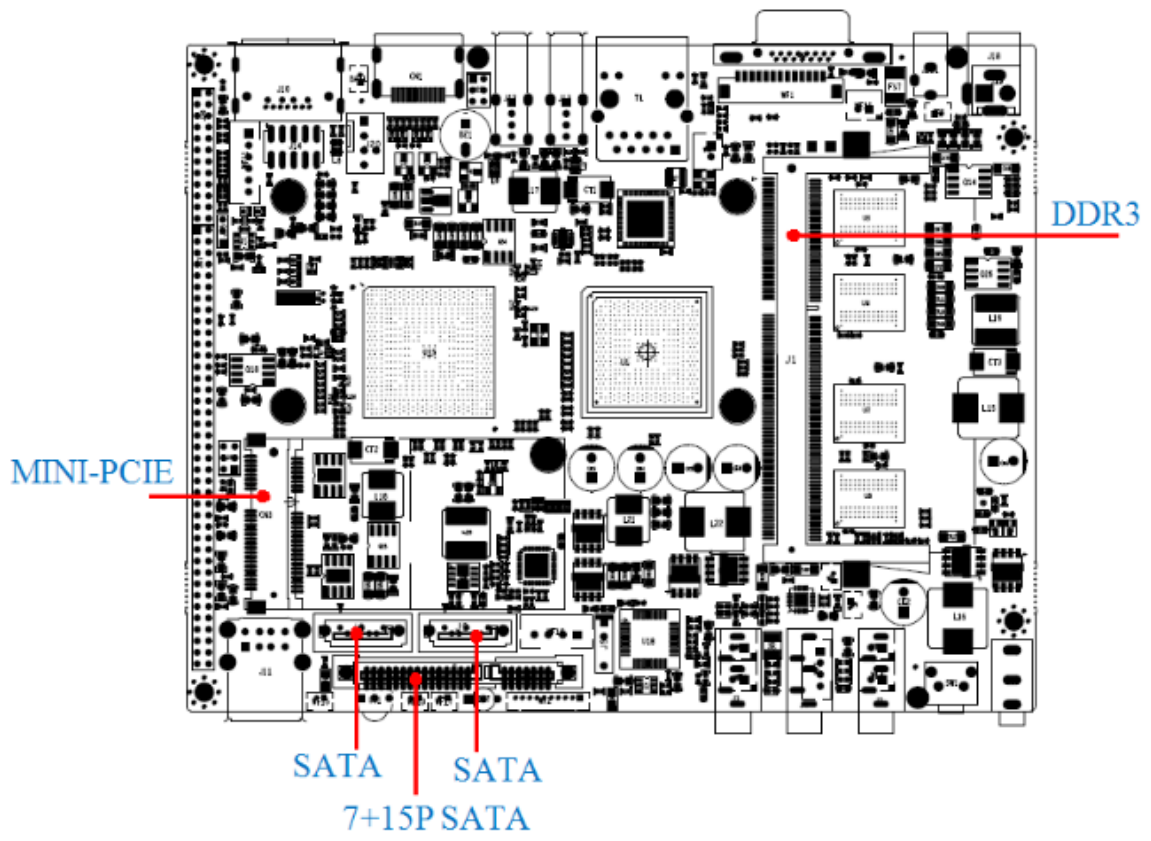
Especificações Técnicas

APU (Accelerated Processing Unit)	G-Series APU (T40N, T44R, T40E, T40R)
Chipset	AMD G-Series Controller Hub (A55E, A50M)
Memória	1 x soquete DDR3-1066 SODIMM com suporte para até 4GB
Slots de expansão	1 x mini PCIe
Áudio	Realtek ALC662 (6-channel)
LAN	Realtek 8111C
Gráficos	AMD Radeon HD (6250-6290) discreta integrada à CPU
Armazenamento	DOM Flash
Portas I/ O Traseiras	1 x HDMI 1 x VGA 1 x eSATA+USB 1 x porta LAN 2 x USB 2.0 1 x entrada para alimentação 12V
Portas I/O Frontais	2 x USB 2.0 Conector para caixas acústicas Conector para MIC
Tamanho	194,4 x 122,9 x 35 (mm)
Peso	1.5 kg

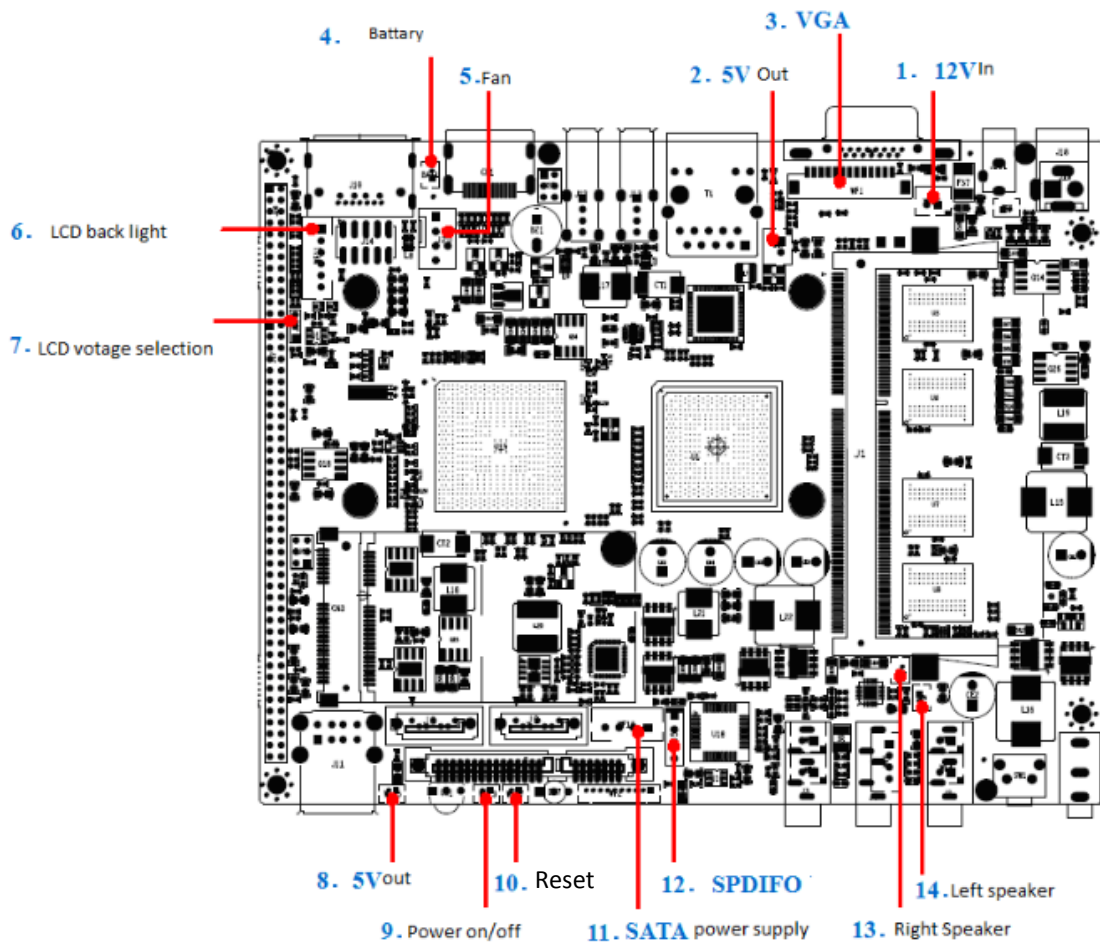


Layout da Placa






Conectores Internos e Jumpers



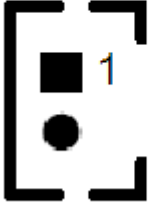
1 . 12V out

Support 12V power supply ;

	Pins	Signal
	1	12V
	2	GND


2 . 5V out

5V power supply

	Pins	Signal
	1	5V
	2	GND

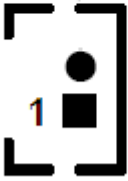
3 . VGA out put

The VGA out put signal is same as the VGA port out put .

 13Pin 1.25mm wide	Pins	Signal
	1	CRT_I2C_DAT
	2	CRT_I2C_CK
	3	GND
	4	CRT_HSYNC
	5	CRT_VSYNC
	6	GND
	7	CRT_RED
	8	GND
	9	CRT_GREEN
	10	GND
	11	CRT_BLUE
	12	GND
13	VGA_5V_FB	


4 . Power jumper

BIOS battery supply

	Pins	Signal
	1	3V battery
	2	GND

5 . Fan

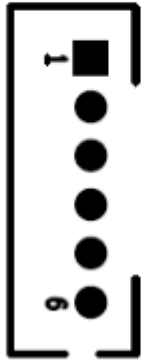
Fan power out put

	Pins	Signal
	1	GND
	2	FAN1_VCC_HDR
	3	FAN1_TAC_HDR
	4	FAN1_PWM

Obs.: Não utilizado com este gabinete.

6 . LCD back light control

LCD back light on/off control, 5V or 12V

	Pins	Signal
	1	BACKLIGHT_5VOR12V
	2	BACKLIGHT_5VOR12V
	3	LVDS_BKL_EN
	4	LVDS_BKL_PWM_V
	5	GND
	6	GND

7 . LCD voltage selection

5V

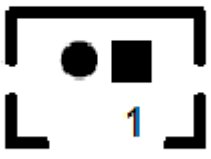


3.3V

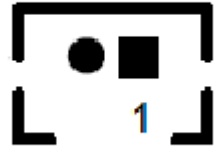


8 . 5V OUT

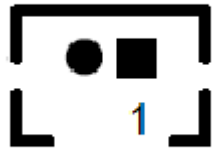
5V out put

	Pins	Signal
	1	5V
	2	GND


9 . Power on/off

	Pins	Signal
	1	PWRBT
	2	GND

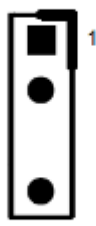
10 . Reset

	Pins	Signal
	1	RST
	2	GND

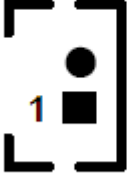
11 . SATA power supply

	Pins	Signal
	1	5V
	2	GND
	3	GND
	4	12V

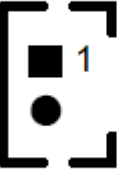
12 . SPDIFO

	Pins	Signal
	1	SPDIOF
	2	5V
	3	NC
	4	GND

13 . Right Speaker

	Pins	Signal
	1	OUTR+
	2	OUTR-

14 . Left Speaker

	Pins	Signal
	1	OUTL+
	2	OUTL-

Anexo





12V in

VGA

LAN

USB 2.0

HDMI

ESATA + USB



Drivers

Linux:

http://www.tradecomp.com.br/plataformas/FUSION/NanoFUSION/drivers/linux/ati-driver-installer-11-2-x86.x86_64.zip

Win XP:

<http://www.tradecomp.com.br/plataformas/FUSION/NanoFUSION/drivers/winxp/winxp.zip>

Win Vista e Win7:

<http://www.tradecomp.com.br/plataformas/FUSION/NanoFUSION/drivers/winvista%20e%20win7/winvista&win7.zip>

